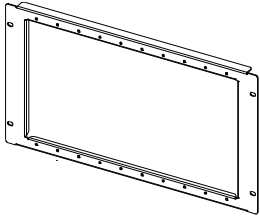






Quick Installation Guide for 6U Rack Mount Shelf

Package Contents

				
6U Rack Mount Shelf 1x	Front Panel Shelf (A) 10x	Front Panel Shelf (B) 1x	Slot Cover 3x	Screw 24x

Dimensions

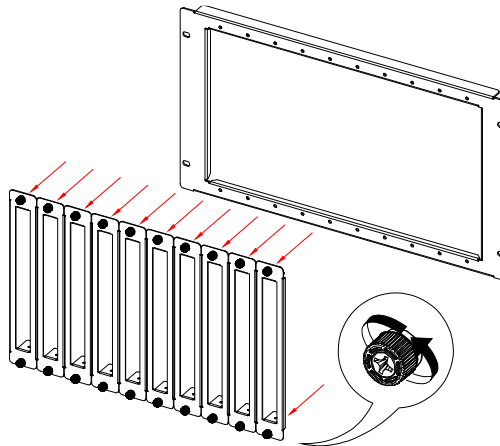
W x H x D: 483mm x 265.9mm x 20mm (19.0" x 10.4" x 0.78")

Description

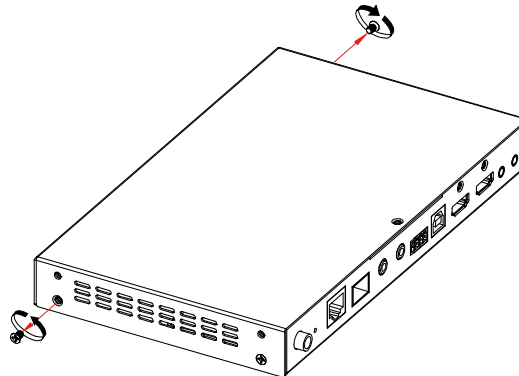
The IP5000 units can be attached to this rack mount shelf to fit the needs of installation. The shelf supports up to 10 units of IP5000 (or up to 9 units of IP5000 and 1 unit of SC009).

Installation

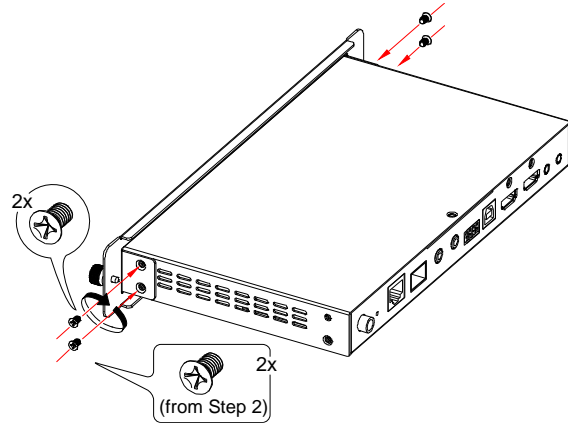
Step 1. Remove the front panel shelves from the 6U rack mount shelf.



Step 2. Remove the screws from the IP5000 unit's enclosures on two sides.

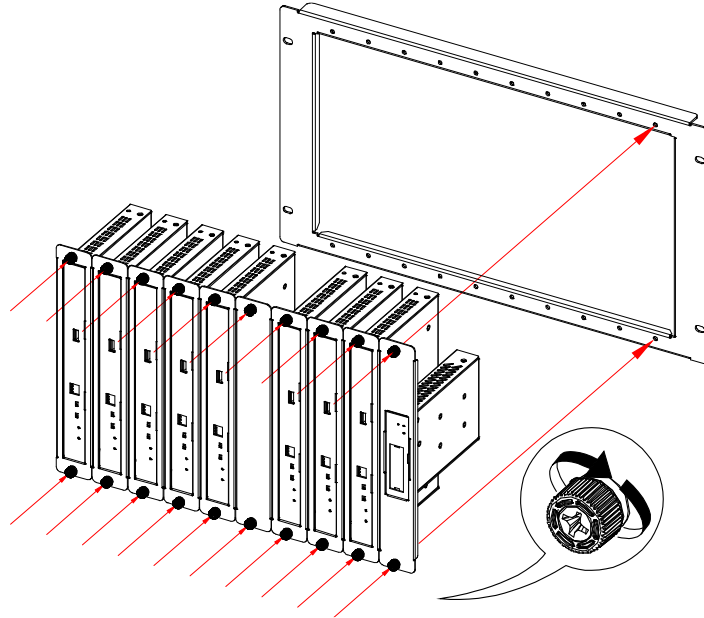


Step 3. Attach the IP5000 unit to the shelf with screws (2 pcs from Step 2, 2 pcs from the package).



Step 4. Repeat steps 2-3 for other units.

Step 5. Attach the front panel shelf or slot cover to the 6U rack mount shelf.



Step 6. Install the rack mount shelf on an equipment cabinet using rack screws (not included in the package).